

Installation pack A-box

GB User's Guide for installation, operation and maintenance



Function

When there is a heating requirement, the room thermostat starts the unit heater and cuts the power to the fluid valve which opens. When the set temperature is reached the fluid valve closes and the fan stops. The room thermostat is a changeover contact, i.e. when the valve is energized it closes. In the event of a power failure the fluid valve opens a minimum of 10% to guarantee the circulation in the heat exchanger.

Installation

Mechanical:

The room thermostat is intended for indoor use in dry areas and should be permanently installed. The fluid valve and actuator are bolted together and fitted to the air heater's pipe connection.

Electrical:

The electrical installation must be carried out by a qualified electrician. The wiring between the fluid valve and thermostat is ideally connected with an intermediate junction box (not included).

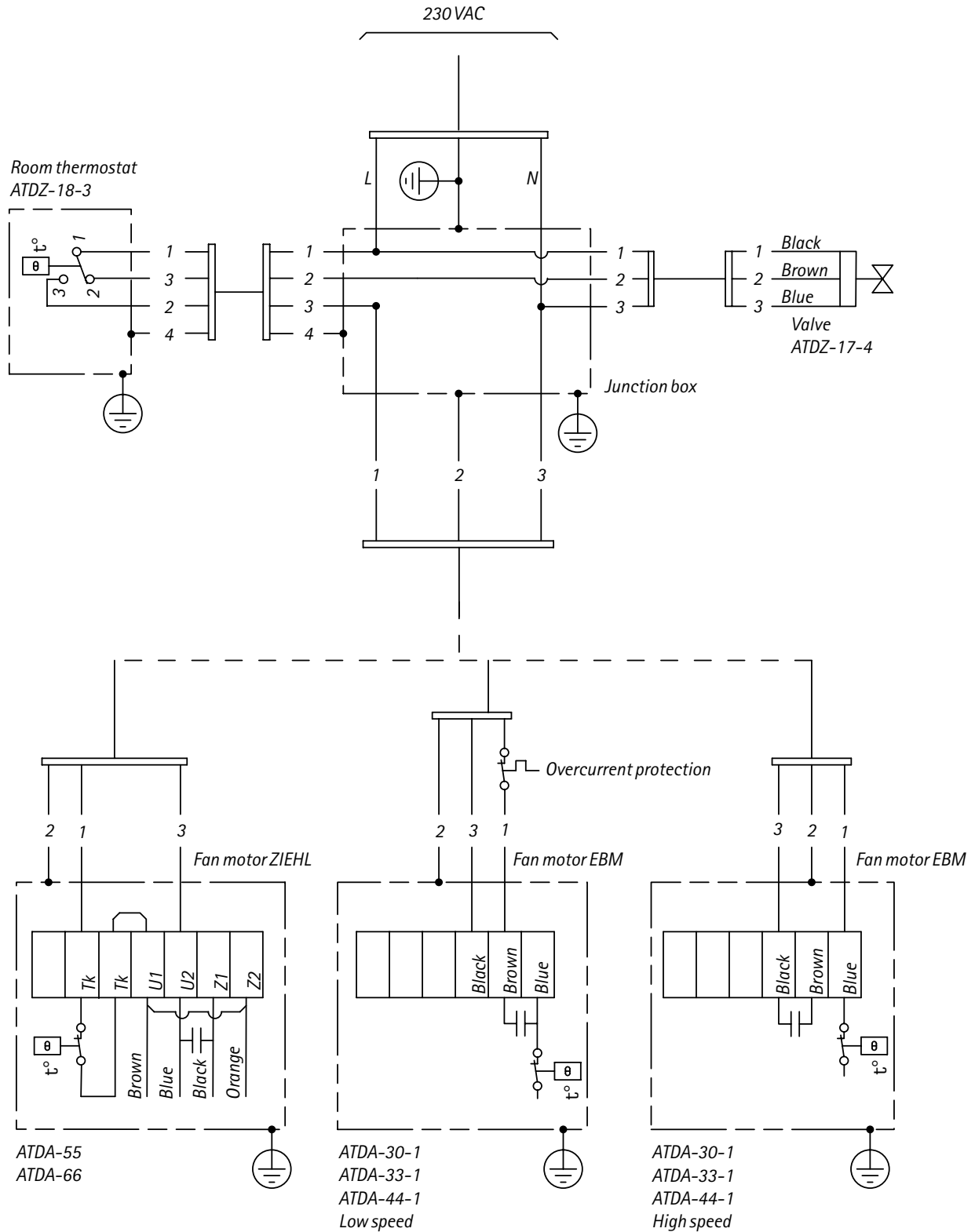
Technical data

Room thermostat ATDZ/LVDZ-18-3
IP30, 1-phase 230 V, 16A

Valve with actuator ATDZ/LVDZ-17-4
IP54, 1-phase 230 V, temperature range 2-110°C
Kvs 4.0, on/off, time 10 sec.

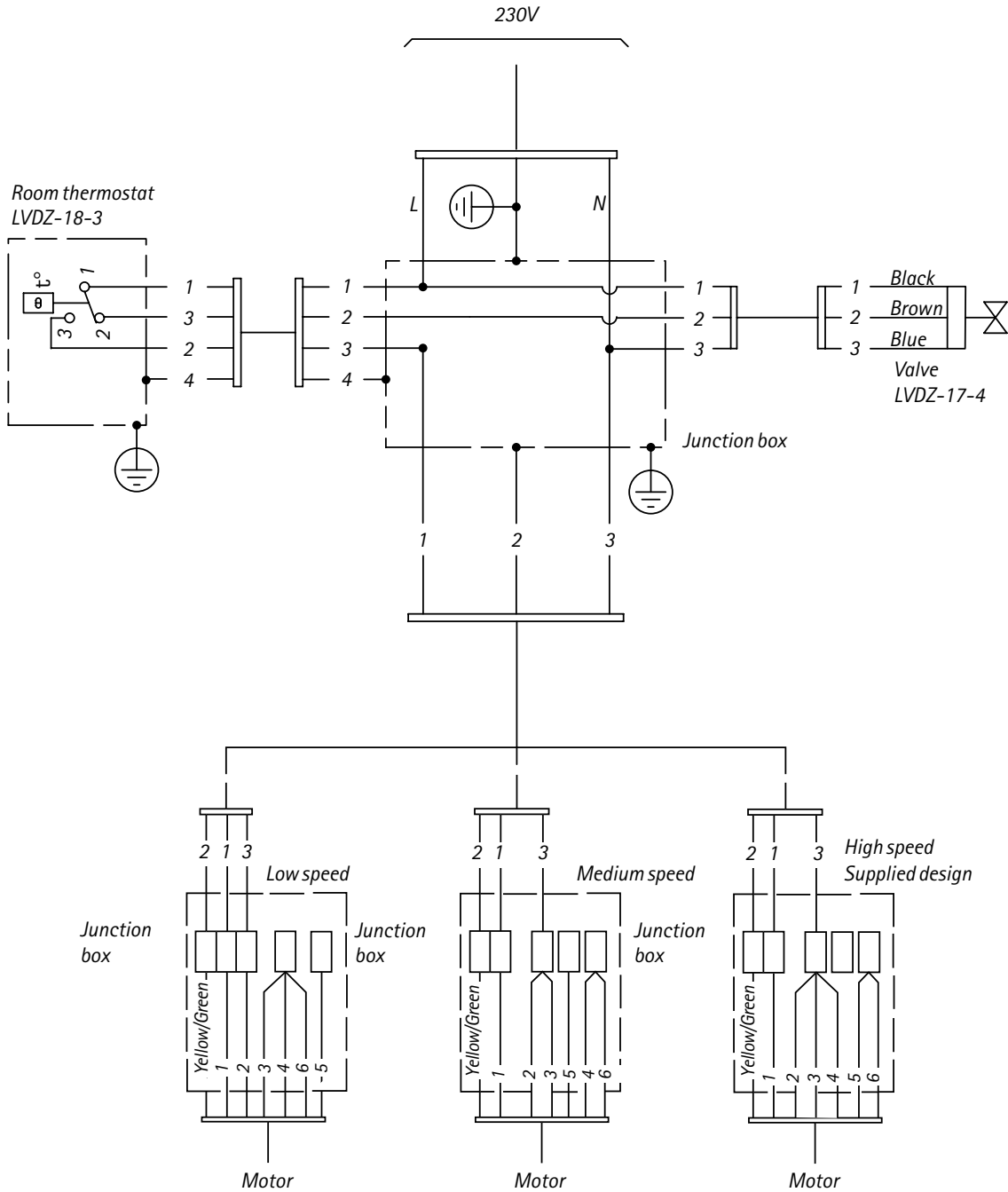
Installation pack A-box

Wiring diagram ATDA



Installation pack A-box

Wiring diagram LVDD





Coiltech AB, SE-614 81 Söderköping, Sweden
Phone +46 121 191 00
Fax +46 121 101 01

Coiltech, Afrikalaan 303, BE-9000 Gent, Belgium
Phone +32 9 218 71 30
Fax +32 9 218 71 39

www.coiltech.com



Head Office:
IT-33050 POCENIA (UD), Via Giulio Locatelli, 22, Italy
Phone +39 0432 772 001
Fax +39 0432 779 594
www.ecogroup.com
info@ecogroup.com