



GB

Leakage detector for liquids CLD 2000
Installation, Operation and Maintenance Manual

Operation

Electronic supply unit designed for use with level sensor CLD2001EM, fitted with two alternating relay outputs and optional manual or automatic reset after leakage is indicated alarm.

Yellow LED indication for supply voltage.

Red LED indication for alarm.

Technical data

Supply voltage..... 100 – 250VAC, 50-60Hz, 24VDC alt. 24VAC 50-60Hz.

Rated power..... 4VA or 4W.

Relay output Inductive load ($\cos \phi = 0.4$ /R = 7ms) 230VAC, 5A, 1.100VA, 120W

Enclosure

Type Fibox (MNX 125HT)

Size 130x130x60mm (WxHxD)

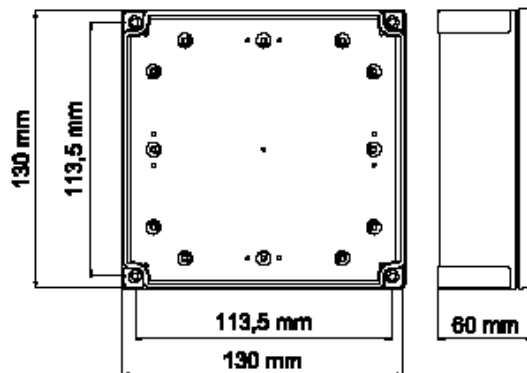
Degree of Protection IP67 (IEC 529)

Material..... Bottom ABS, cover Polycarbonate

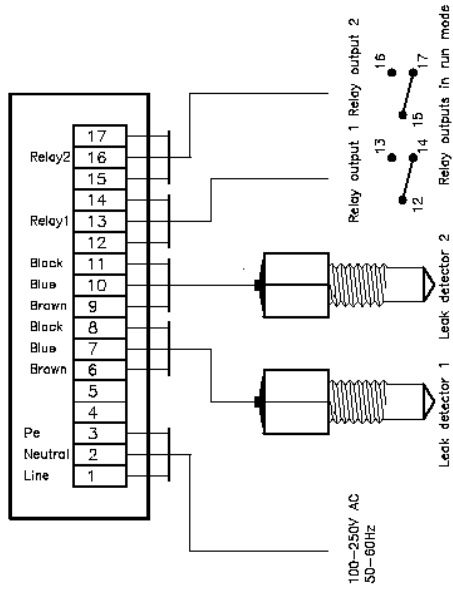
Colour RAL 7035

Temperature 40°C to +80°C

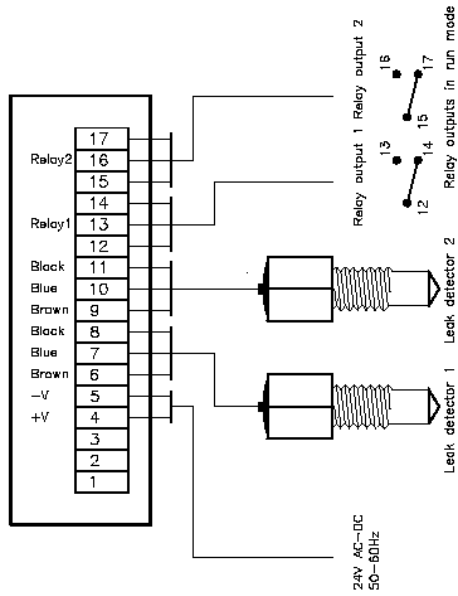
Dimensions



Electrical wiring 100-250 VAC



Electrical wiring 24VAC-DC



Coiltech AB: SE-614 81 Söderköping
 Phone +46 121-19100
 Fax +46 121-10101
 www.coiltech.com

Coiltech, Afrikalaan 303, BE-9000 Gent, Belgium
 Phone +32 9 218 71 30
 Fax +32 9 218 71 39



Head Office:
 33050 POCENIA (UD) | Via Giulio Locatelli, 22
 Phone +39 0432.772.001
 Fax +39 0432.779.594
 www.ecogroup.com
 info@ecogroup.com