

# Environmental declaration for air heaters of the type LVDV

Coiltech has adopted a resource sparing operation and an integrated environmental concept according to Environmental and Quality Management systems ISO 14001 and ISO 9001.

Manufactured products are mostly made of metal.

Producing and refining metal is associated with various processes with environmental influence and a high energy consumption.

In order to minimise influence on the environment we commit ourselves that the material used in our products shall be possible to recycle in an effective and environment friendly way when they are scrapped. One of our ways to achieve this is a constant and thorough development of our products. We are also participating in the REPA register for metals, plastic materials and corrugated cardboard.

## Product components

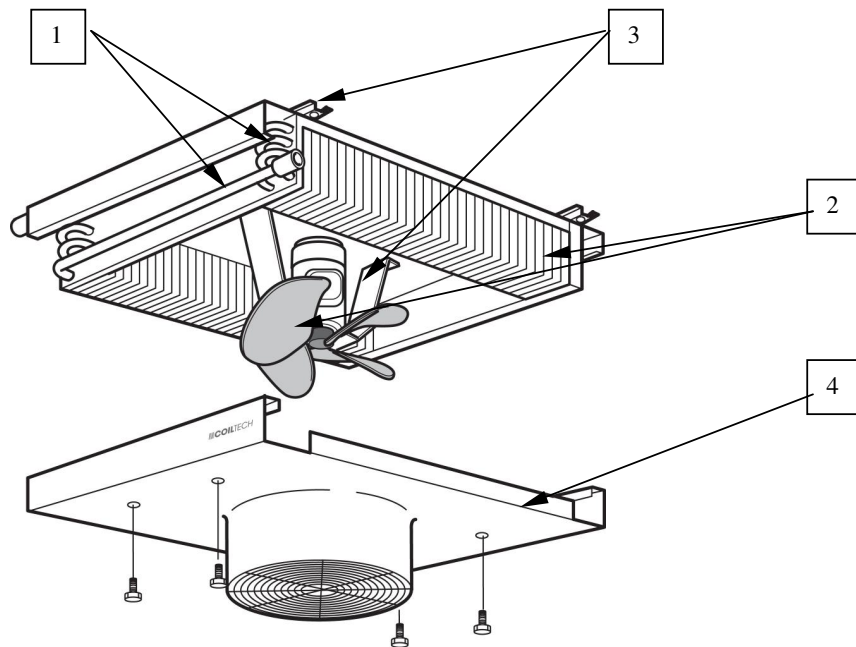


Fig1. Material, se table 2

## Weights and included material percentage of total weight

Table 1. Total weight Air Heater

	Size	
	LVDV-40	LVDV-50
Total weight excl accessories	31 kg	45 kg

Table 2. Included material, percentage of total weight

Pos.		Size	
		LVDV-44	LVDV-55
1	Copper	8%	12%
2	Aluminium	6%	8%
3	Galvanised steel	32%	30%
4	Painted steel	36%	33%
-	Motor- and fan unit <sup>(1)</sup>	16%	15%
Total share of total weight		98%	98%

<sup>(1)</sup> Included material is shown separately

## Fan unit, included material percentage of fan unit weight

Table 3. Fan unit, included material percentage of total weight

	Share of total weight for each size	
	LVDV-44	LVDV-55
Copper	11%	11%
Steel	64%	64%
Aluminium	24%	11%
Total	99%	86%

## Power consumption, fan motor

The table below shows maximum power consumption at highest engine speed without speed regulation.

Table 4. Power consumption at highest engine speed

Power consumption for each size [kW]				
LVDV-40-1	LVDV-40-4	LVDV-50-1	LVDV-50-4	LVDV-50-6
0,15	0,16	0,17	0,18	0,50

## Packing

The product is packed in a box made of corrugated cardboard of 100 % recycled fibres. To protect the air heater towards damp during transportation, a protective plastic wrapping made of LD polythene covers the apparatus. The weight of the packing is shown for each size in the table below.

Table 5. Packing weights for each size

Packing weights for each size [kg]	
LVDV-40	LVDV-50
2,0	2,5

### Electronic components

The electronic components in the control & regulation equipment of LV DV are encapsulated in plastic boxes which are recyclable. The encapsulation material is ground down and used for manufacturing of new details. The printed circuit cards are classed as electronic waste and taken care of for later destruction by a recycling company. In order to minimise environmental influence during the manufacturing process, no flux is used in the brazing of the components.

### Environmental aspects on the manufacture of air heaters

In the manufacture of air heaters as well as in all other manufacture carried out by plastic- and piece & chip separating processing, all utilised material can not possibly be assimilated by the product. The waste products are recycled by means of re-melting and being included in new products later on. Brazing, welding and pressure testing as well as customer demands on purity require a degreasing of the coil. This is carried out with alkaline agents completely without any chlorinated solvents.

### Recycling of the product

When the air heater is scrapped, it is your duty to arrange that the constituent parts are being sent to a recycling company, where the coil is broken into pieces and melted down. The different metals are separated gravimetrically and each material reprocessed to be included in new products. The casing which is made of painted sheet steel can be completely recycled by re-melting.



Coiltech AB: SE-614 81 Söderköping  
Phone +46 121-19100  
Fax +46 121-10101  
[www.coiltech.com](http://www.coiltech.com)

Coiltech, Afrikalaan 303, BE-9000 Gent, Belgium  
Phone +32 9 218 71 30  
Fax +32 9 218 71 39



Head Office:  
33050 POCENIA (UD) | Via Giulio Locatelli, 22  
Phone +39 0432.772.001  
Fax +39 0432.779.594  
[www.ecogroup.com](http://www.ecogroup.com)  
[info@ecogroup.com](mailto:info@ecogroup.com)